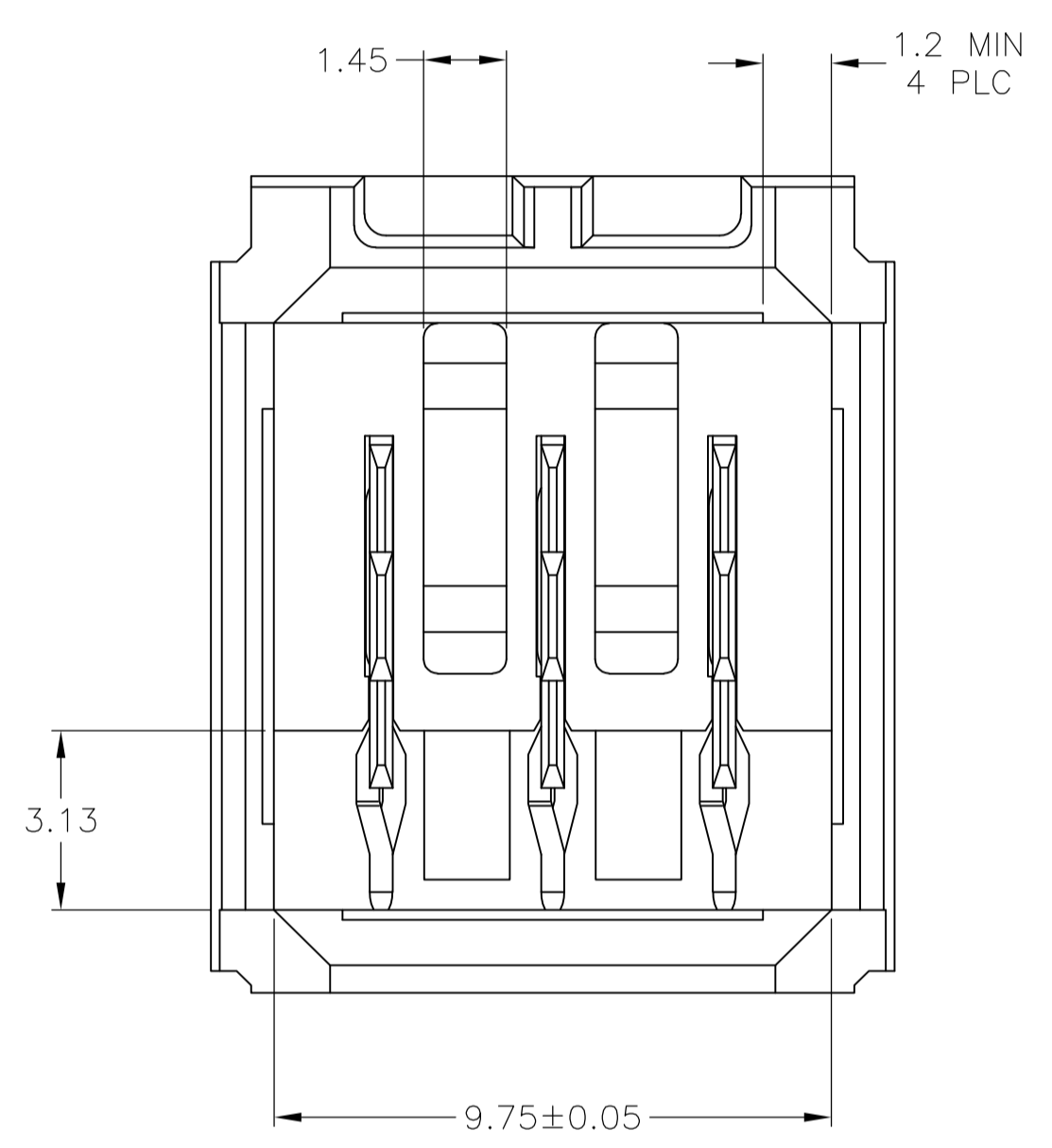
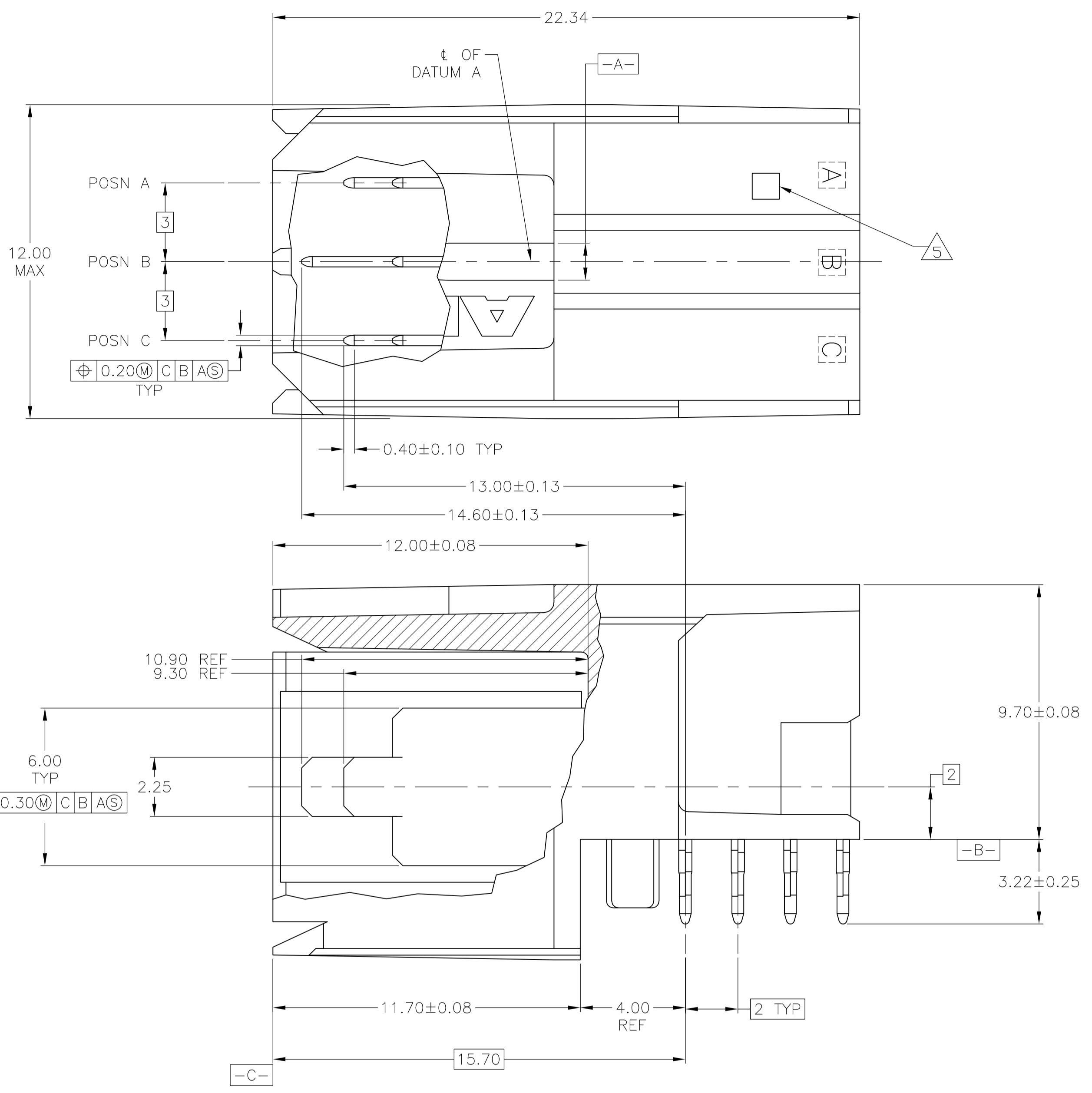
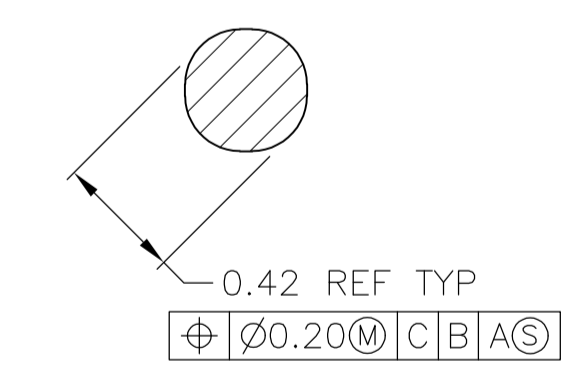
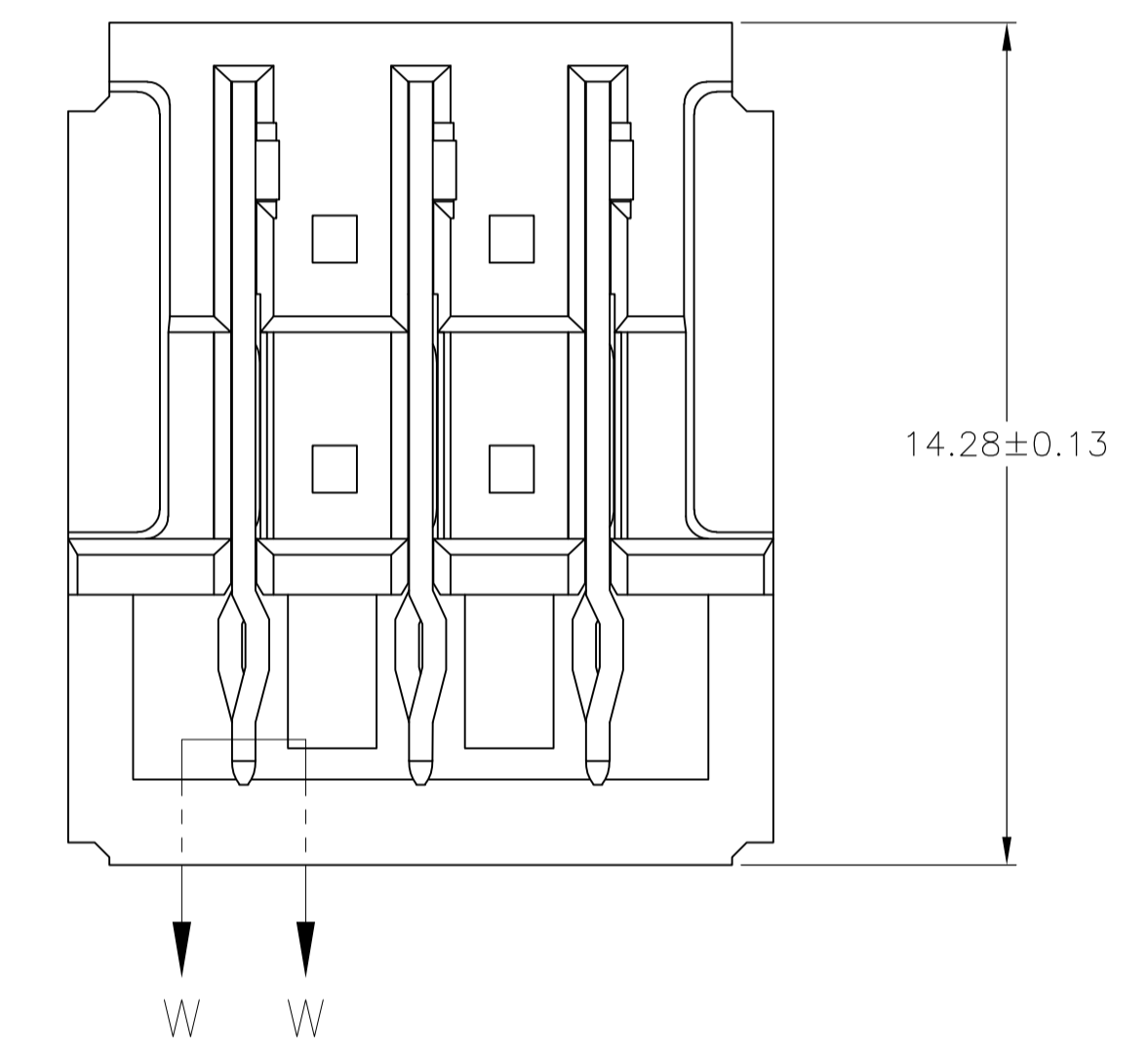


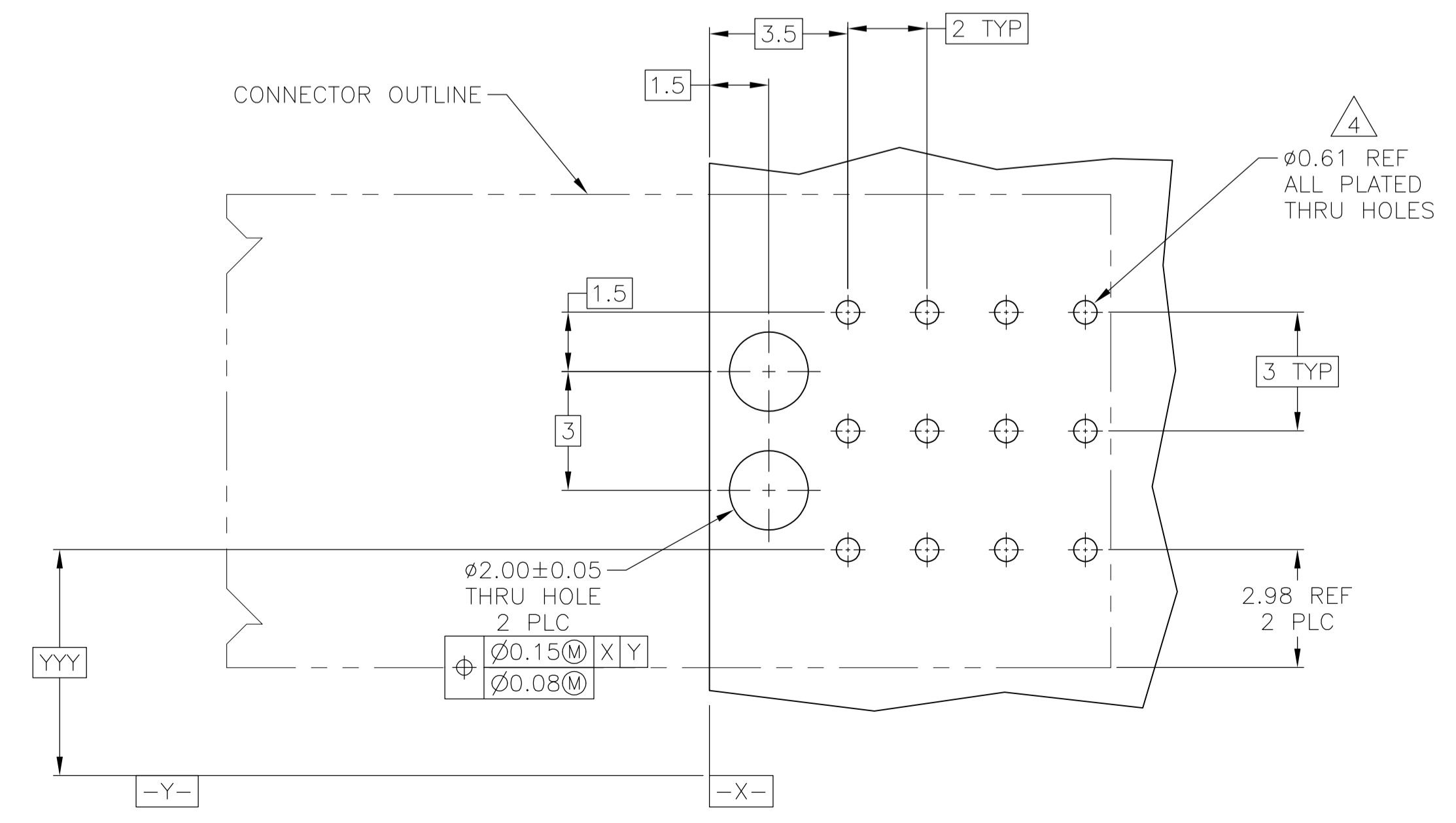
LOC		DIST		REVISIONS			
AD	00	REV	DATE	BY	CHK	APPV	
C		REVISED PER ECO-11-004703	01APR11	DH	DY		



- 1 HOUSING: POLYESTER, GRAY. UL 94V-0. CONTACT: PHOSPHOR BRONZE.
- 2 CONTACT: MATING AREA: 1.27µm MIN GOLD OR 0.08µm MIN GOLD OVER 0.76µm MIN PALLADIUM-NICKEL. ACTION PIN AREA: 0.5µm MIN TIN PLATE. ALL OVER 1.27µm MIN NICKEL UNDERPLATE.
- 3 CONTACT LUBRICATION WITH BELCORE APPROVED LUBRICANT. TECHNICAL REFERENCE: TR-NWT-001217 ISSUE 1, SEPT 1992.
- 4 REFERENCE APPLICATION SPEC 114-1103 FOR RECOMMENDED PLATED THRU HOLE DIAMETER AND PLATING THICKNESS.
- 5 NUMBER "2" MARKED IN THIS AREA.
- 6 HOUSING: POLYESTER, GRAY. UL 94V-0. CONTACT: HI-CURRENT COPPER ALLOY.
- 7 CURRENT RATING 10A/CONTACT FOR PHOS BRONZE CONTACT AND 16A/CONTACT FOR HIGH CURRENT COPPER ALLOY CONTACTS PER PRODUCT SPEC 108-1651.



SECTION W-W
SCALE 40:1



RECOMMENDED PCB HOLE LAYOUT

5	2	3	6	5-5223963-1
1	2	3		5223963-7
1	2	3		5223963-1
REMARKS				PART NUMBER

THIS DRAWING IS A CONTROLLED DOCUMENT.		DIN B CARBO 290CT04	290CT04	
DIMENSIONS: mm		CHK R PATTERSON	290CT04	
TOLERANCES UNLESS OTHERWISE SPECIFIED:		APPV R PATTERSON	290CT04	
0 PLC ± -		NAME		
1 PLC ± -		ASSEMBLY, RIGHT ANGLE HEADER, W/ RETENTION PEGS, UNIVERSAL POWER MODULE		
2 PLC ± 0.13		SIZE CAGE CODE DRAWING NO		
3 PLC ± -		A1 00779 C=5223963		
4 PLC ± -		RESTRICTED TO		
ANGLES ± -		WEIGHT		
MATERIAL SEE TABLE		FINISH SEE TABLE		
		CUSTOMER DRAWING		
		SCALE 8:1 SHEET 1 OF 1 REV C		